

CABLE 291 RF: MMCX RIGHT ANGLE PLUG + BNC STRAIGHT BULKHEAD JACK WITH O-RING RATED TO IP67/68 + MULTIPLE CABLE SIZES

SPECIFICATIONS:

1. MMCX RIGHT ANGLE PLUG, P/N:  
FOR RG316, RG174 CABLE: RFCT-MMCX004-M74.  
FOR RG178 CABLE: RFCT-MMCX003-M78.
2. COAXIAL CABLE, SEE P/N FOR DETAIL.
3. BNC STRAIGHT BULKHEAD JACK WITH O-RING RATED TO IP67/68, P/N:  
FOR RG316, RG174 CABLE: RFCT-BNC001-F74.  
FOR RG178 CABLE: RFCT-BNC006-F78.

ENVIRONMENTAL:

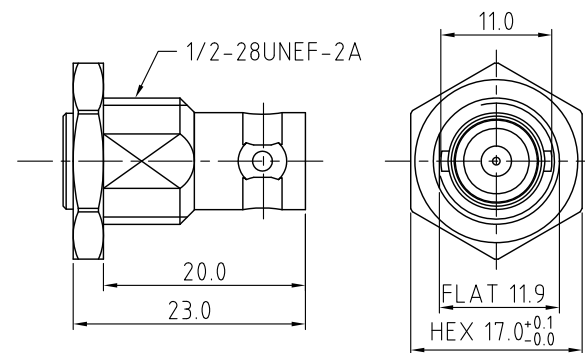
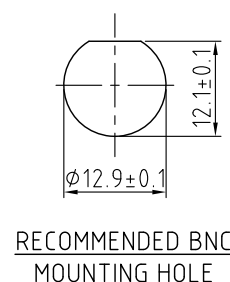
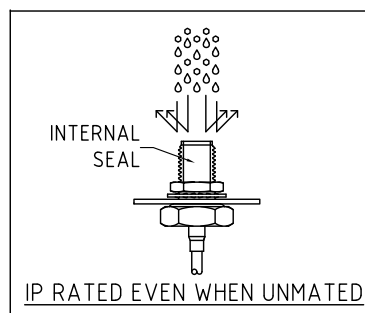
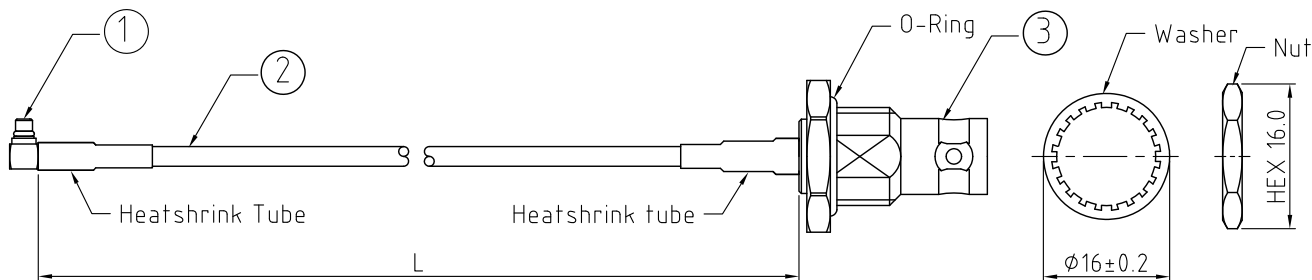
A. BULKHEAD MOUNTED CONNECTOR (RFCT-BNC001-F74 / RFCT-BNC006-F78)

TESTED TO THE FOLLOWING SPECIFICATION:

- i. IP6X - DUST TIGHT - NO PARTICLE INGRESS.
- ii. IPX7 WATERPROOF FOR 30 MINUTES UP TO 1 METER UNDERWATER.
- iii. IPX8 WATERPROOF FOR 48 HOURS AT 1 METER UNDERWATER.
- iv. IPX8 WATERPROOF FOR 12 HOURS AT 5 METERS UNDERWATER.
- v. PRESSURE TEST - 1 BAR FOR 10 SECONDS.

NOTES:

1. THE ORIENTATION OF CONNECTORS ON DRAWING IS FOR REFERENCE ONLY, IF THE ORDER IS LEFT BLANK THE CONNECTOR WILL NOT HAVE FIXED ORIENTATION.
2. FIXED ORIENTATION IS SUGGESTED FOR CABLE LENGTH 25MM TO 100MM. PLEASE SPECIFY THE FIXED ORIENTATIONS FROM THE ORDER CODE (F1, F2, ETC)
3. CONTACT GRADCONN IF THE ORIENTATION YOU REQUIRE IS NOT SHOWN.
4. WORKING FREQUENCY RANGE: DC-3GHz.
5. OPERATING TEMPERATURE: -20°C TO +80°C (RG174 CABLE)  
-40°C TO +125°C (ALL OTHER CABLE SIZES)
6. IMPEDANCE: 50 OHM.



BNC DETAIL DRAWING

HOW TO ORDER

CABLE 291 RF - X X X X - X X - X - X

"L" LENGTH IN MM  
eg: 100MM = 0100  
(MIN. = 0050, MAX. = 2000,  
STANDARD = 0100, 0150, 0200)  
Tolerance: 50-200mm: ±5mm.  
201-500mm: ±7mm.  
>500mm: ±10mm.

CABLE SIZE OPTIONS:

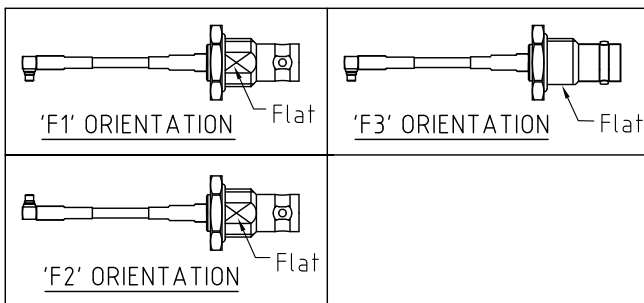
- 1 = RG316 CABLE, COLOR: BROWN.
- 2 = RG174 CABLE, COLOR: BLACK.
- 3 = RG178 CABLE, COLOR: BROWN.

WASHER AND NUT OPTIONS:

- BLANK = SEPARATELY PACKED (STANDARD)
- A = ASSEMBLED WITH CONNECTOR

ORIENTATION OPTIONS:

- BLANK = DOES NOT HAVE A FIXED ORIENTATION
  - F1 = MMCX CONNECTION DOWN (L=50-200MM)
  - F2 = MMCX CONNECTION UP (L=50-200MM)
  - F3 = MMCX CONNECTION SAME AS BNC D-FLAT (L=50-200MM)
- (SEE NOTES 1, 2, 3 AND DIAGRAMS FOR MORE INFORMATION)



REV. DATE & DRN  
TO: 24/10/17 - NYW RELEASE  
11 15/09/12 - NYW  
ADD OPTION 3  
12 10/03/14 - CC  
ADD IP RATING VIEW

Scale: NTS	THIRD ANGLE	Unstated .X .XX .XXX ANGLES	Tolerances: N/A N/A N/A N/A
Drawn: CC			
App'd: XXX	Title CABLE ASSEMBLY		
Date: 10 MAR. '24	Revision: 1.2	Unit: mm	



IP Rated RF Products



www.gradconn.com

THIS DRAWING IS CONFIDENTIAL AND MUST NOT BE COPIED OR DISCLOSED WITHOUT WRITTEN CONSENT

Type: Cable 291 RF
CABLE 291 RF
Drawing Number:
Sheet 1 of 1
Drawing © E and O E